

# OLYMPUS

Your Vision, Our Future

## BF-UC180F

Endoscopic Ultrasonography — Setting a New Standard in Mediastinal Diagnostics.

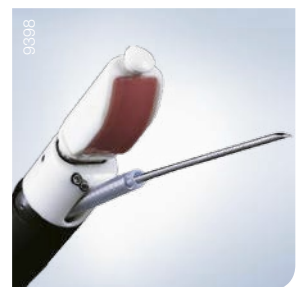


# THE INNOVATIVE ENDOSCOPE WITH SUPERIOR ULTRASOUND IMAGING FOR EBUS-TBNA

Compatible with Olympus' universal endoscopic ultrasound centers EU-ME2, EU-ME1, and EU-C60, as well as Hitachi Aloka's ProSound  $\alpha$ 5,  $\alpha$ 7,  $\alpha$ 10, and F75, this EBUS-TBNA system offers the application of advanced ultrasound features to clearly visualize the dedicated echogenic aspiration needles. With the introduction of the second generation EBUS-TBNA system, Olympus is making an important contribution to improve diagnostics in lung cancer.

## Features

- Channel diameter enlarged to 2.2 mm for compatibility with 21G and 22G EBUS-TBNA needle.
- Detachable cable concept allows connection of this scope with Hitachi Aloka's ProSound  $\alpha$ 5,  $\alpha$ 7,  $\alpha$ 10, and F75, as well as Olympus' EU-ME2, EU-ME1, and EU-C60.
- Increased ultrasound scanning area and higher sensitivity Doppler functions are available.
- Detachable cable facilitates easier placement into automatic endoscope reprocessors.
- Innovative "hybrid" design combines video and fiber-optic technologies in a single scope, offering the same functionality as videoscopes, yet with a slim insertion tube diameter of 6.3 mm\*, even with an incorporated ultrasound transducer.



\* Distal tip diameter measures 6.9 mm.

# NOW A CHOICE OF THREE HIGH-PERFORMANCE ULTRASOUND PROCESSORS

## Hitachi Aloka Diagnostic Ultrasound System ProSound F75

Providing compatibility with linear and radial ultrasound endoscopes and extracorporeal probes.



## Hitachi Aloka Diagnostic Ultrasound System ProSound $\alpha$ 7

Providing compatibility with linear and radial ultrasound endoscopes and extracorporeal probes.



## Olympus Universal Endoscopic Ultrasound Center EU-ME2

Providing compatibility with linear and radial ultrasound endoscopes and radial ultrasound miniature probes.

EU-ME2 is available in three versions:

- EU-ME2
- EU-ME2 Premier
- EU-ME2 Premier Plus

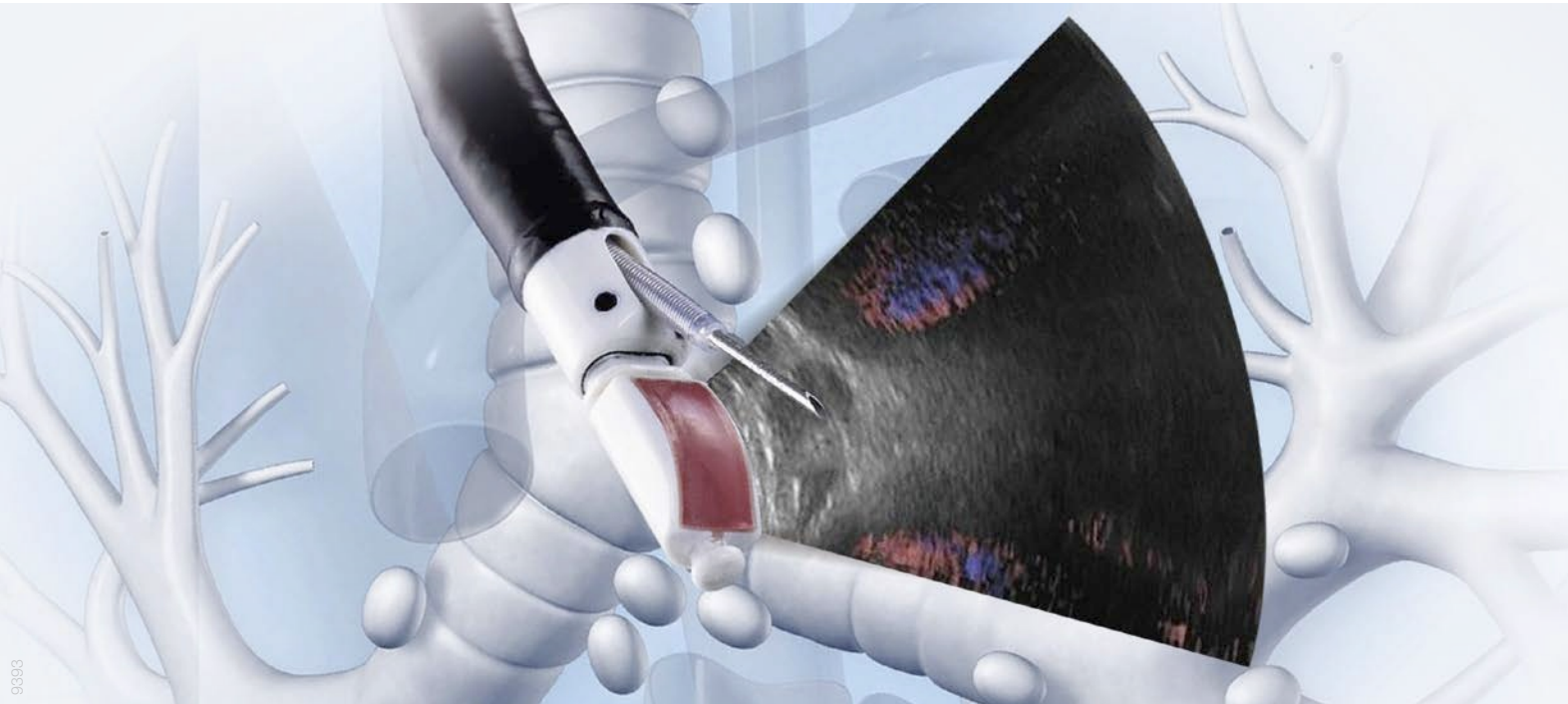


## Single-use Aspiration Needle ViziShot: Echogenic, Dimpled Needle Tip for Improved Visibility on Ultrasound Images

### Features

- Specifically designed for use with EBUS-TBNA scopes
- 21G and 22G outer diameter
- Adjustable needle length
- Pre-sterilized and single-use

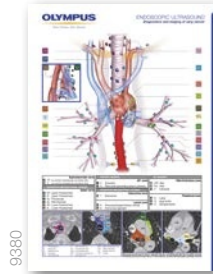
# FURTHER INFORMATION



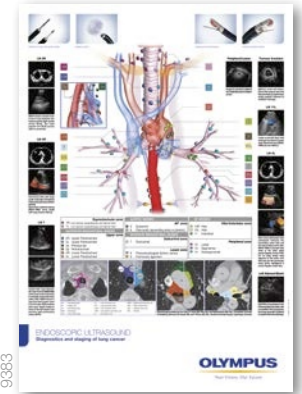
9381  
E0429587  
Training software  
Light and sound in bronchoscopy



9407  
E0429865  
Training software  
Endoscopic ultrasound in lung cancer



9380  
E0429849  
Laminated A4 reference chart  
N-staging IASLC (7th edition)



9383  
E0429934  
Poster N-staging nomenclature  
IASLC (7th edition)



9396  
iPad and Android application  
Staging matrix (IASLC 7th edition)  
Compatible with iPad and Android tablet PCs



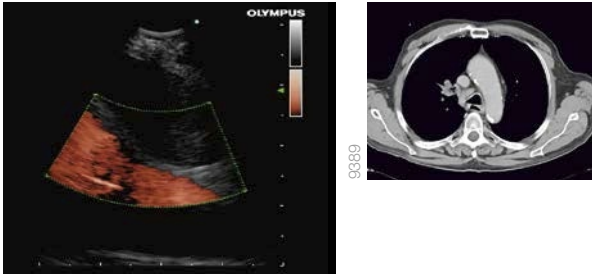
Scan the QR code with your iPad or your Android tablet to download the app!

Please contact your local Olympus representative for further information on our training materials and training courses.



# CLINICAL CASES

4R



Enlarged paratracheal lymph node. Power flow mode confirms a vessel in close vicinity to the lymph node.

4L



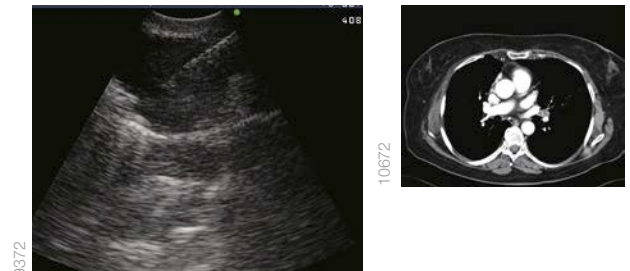
Staging procedure in a patient with NSCLC.

7



A patient suspected of having mediastinal lymphoma was referred for EBUS-TBNA and diagnosed as having sarcoidosis.

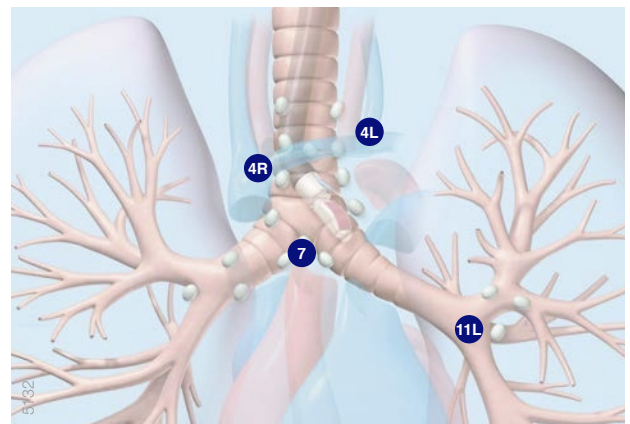
11L



Staging procedure in a patient with NSCLC.

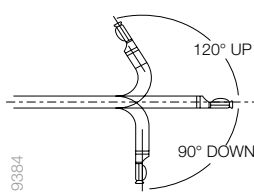
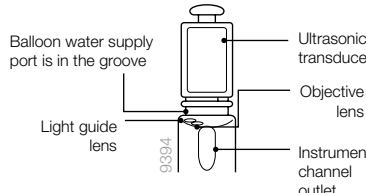



Dual Dynamic Display (DDD) of Hitachi Aloka ProSound α7 allows real-time observation of needle insertion and blood flow simultaneously.



# BF-UC180F – ENDOSCOPIC ULTRASONOGRAPHY

## Specifications BF-UC180F

		
Optical system	Field of view Direction of view Depth of field	80° 35° forward oblique 2-50 mm
Insertion tube	Distal end outer diameter Insertion tube outer diameter Working length	6.9 mm 6.3 mm 600 mm
Instrument channel	Channel inner diameter Direction from which EndoTherapy accessories enter and exit the endoscopic image	2.2 mm 
Bending section	Angulation range	Up 120°, down 90°
Total length		890 mm

## Currently Available Systems in 2015

The subset of features listed here refers to the usage of the processors in conjunction with the BF-UC180F endoscope.

	Hitachi Aloka ProSound F75	Hitachi Aloka ProSound α7	Olympus EU-ME2
			
Ultrasound cable	MAJ-1597 and MAJ-2056		
Display mode	B mode, M mode, D mode, FLOW mode, POWER FLOW mode, eFLOW, PW mode, THE mode		B mode, FLOW mode, COLOR FLOW mode, H-FLOW mode, PW mode, THE mode, Elastography mode
Scanning method	Electronic curved linear array		
Scanning direction	Parallel to the insertion direction		
Frequency	5/7.5/10/12 MHz	5/8/10/13.3 MHz	5/6/7.5/10/12 MHz
Tissue Harmonic Echo (THE)	Broadband Harmonic (BbH)	Extended Pure Harmonic Detection (exPHD)	Tissue Harmonic Echo (THE)
	5 MP/6 MS/6.7 MR/7.5 MHz	4.44 MP/5 MS/6.67 MR/8 MHz	THE-P/THE-R (optimized penetration/resolution mode)
Elastography (ELST) mode	—	—	Strain graph, Pressurization bar
Scanning range	60°		
Focusing point	Up to four focusing points are available		Focus location adjustable, focus number adjustable
Contact method	Balloon method, Direct-contact method		

## NA-201SX-4022 and NA-201SX-4021 Specifications

Model	NA-201SX-4022	NA-201SX-4021
Maximum insertion portion diameter	1.8 mm	1.9 mm
Working length	700 mm	700 mm
Needle width	22G	21G
Needle length	40 mm	40 mm

Specifications, design, and accessories are subject to change without any notice or obligation on the part of the manufacturer.

**OLYMPUS**

**OLYMPUS EUROPA SE & CO. KG**  
 Postbox 10 49 08, 20034 Hamburg, Germany  
 Wendenstrasse 14-18, 20097 Hamburg, Germany  
 Phone: +49 40 23773-0, Fax: +49 40 233765  
 www.olympus-europa.com

